

WWW.PROLECAUSTRALIA.COM.AU



ELECTRICAL SWITCHBOARD
AND ENCLOSURE HARDWARE

CATALOGUE





TABLE OF CONTENTS

01	ENCLOSURE KEYS	5
02	QUARTER TURN LATCHES	7
03	QUARTER TURN LOCKS (WINGKNOB'S ETC)	9
04	HANDLES (L & T HANDLES, PADLOCKABLE SWING HANDLES)	11
05	LOCK RELATED ACCESSORIES	15
06	DOOR STAYS	17
07	HINGES	18
08	THUMB SCREWS & LOCATING PINS	20
09	EARTH & NEUTRAL BARS	21
10	LOW VOLTAGE INSULATORS	22
11	DOOR GASKETS (NEOPRENE TAPE & PINCHWELD)	23

PRODUCT STATEMENT

Prolec Australia are specialist's in manufacturing custom solutions designed to thrive in Australia's harshest environments. Our diverse range of enclosures, formulated from robust materials, are purpose-built to endure challenging scenarios in any environment.

At Prolec Australia, our customised products integrate high-quality accessories to suit your individual needs at a competitive price. From heavy-duty handles and locks to specialised switchboard hardware, these products are the same high quality components we use to manufacture Australia's toughest enclosures & cabinets.

We provide exceptional craftsmanship that reflects the top-notch quality of our products. Our experts meticulously design these fit for purpose solutions and ensure particular care and attention to detail throughout the creation process.

PERFORMANCE GUIDELINES

Our catalogue showcases a range of products tailored for general industry applications. As every case varies, users need to conduct testing under their specific application conditions. This ensures the product is suitable for the intended function and desired performance. Prolec Australia recognises no warranties or representations concerning potential errors or exclusions in the provided product information.

Please note that Prolec Australia products may change design, dimensions, specifications, materials, or finishes without prior notice. It's recommended to verify the product details before making a purchase. If you require further information or product selection assistance, please contact our office.

PRODUCT LISTING EXAMPLE

PRO-DUCT1
Product No.
5mm Double Bit
Description
Stainless Steel
Material

INGRESS PROTECTION

Ingress Protection (IP) is an international standard (IEC 60529) used to rate the degree of protection or sealing effectiveness in electrical enclosures against intrusion of objects, water, dust or accidental contact. The IP rating consists of two key numbers: the first indicates protection against solid objects, while the second signifies defence against liquids. Understanding IP ratings is crucial when selecting devices or equipment for specific environments. **See page 4 for more detailed information.

INGRESS PROTECTION (IP) RATING GUIDE



SOLIDS

LIQUIDS

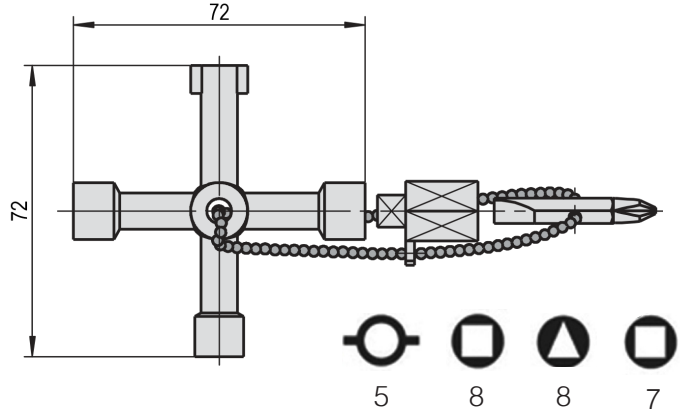
X	There is no available data.		0	No protection.	
0	No protection against ingress or contact of solids.		1	Protection against dripping water.	
1	Protection against objects larger than 50mm.		2	protection against dripping water at a 15-degree angle.	
2	Protection against objects larger than 12.5mm.		3	Protection against spraying water.	
3	Protection against objects larger than 2.5mm.		4	Protection against splashing water.	
4	Protection against objects larger than 1mm.		5	Protection against water jets.	
5	Protection against dust.		6	Protection against powerful water jets.	
6	The unit is dust-tight.		6k	Protection against water jets with higher pressure.	



7	Protection against being immersed in 1 meter of water.	
8	Protection against being immersed in at least 1 meter of water (or more).	
9	Protection against powerful water jets with high temperatures	

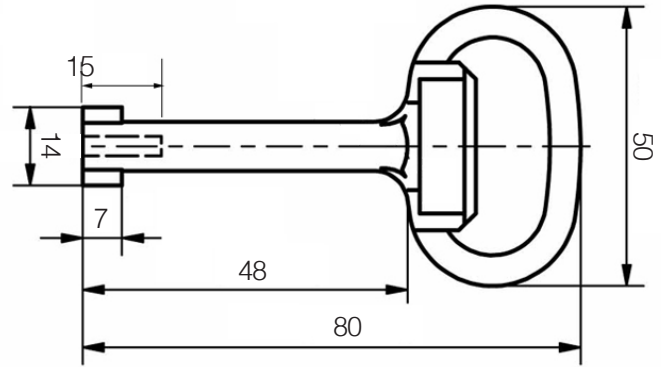
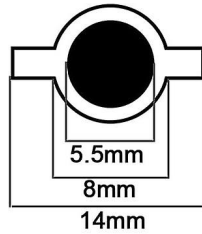
ENCLOSURE KEYS

KEY-MULTI	4-Way Panel Key	Zinc
------------------	------------------------	-------------



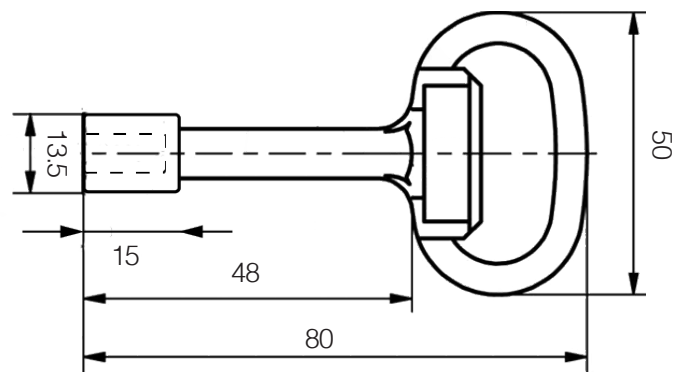
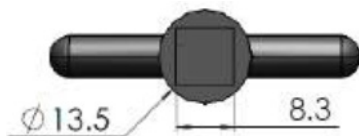
5mm Double Bit, 8mm Square, 7mm Square, 8mm Triangle

KEY-5MMDB	5mm Double Bit	Zinc
------------------	-----------------------	-------------



Panel Key 5mm Double Bit

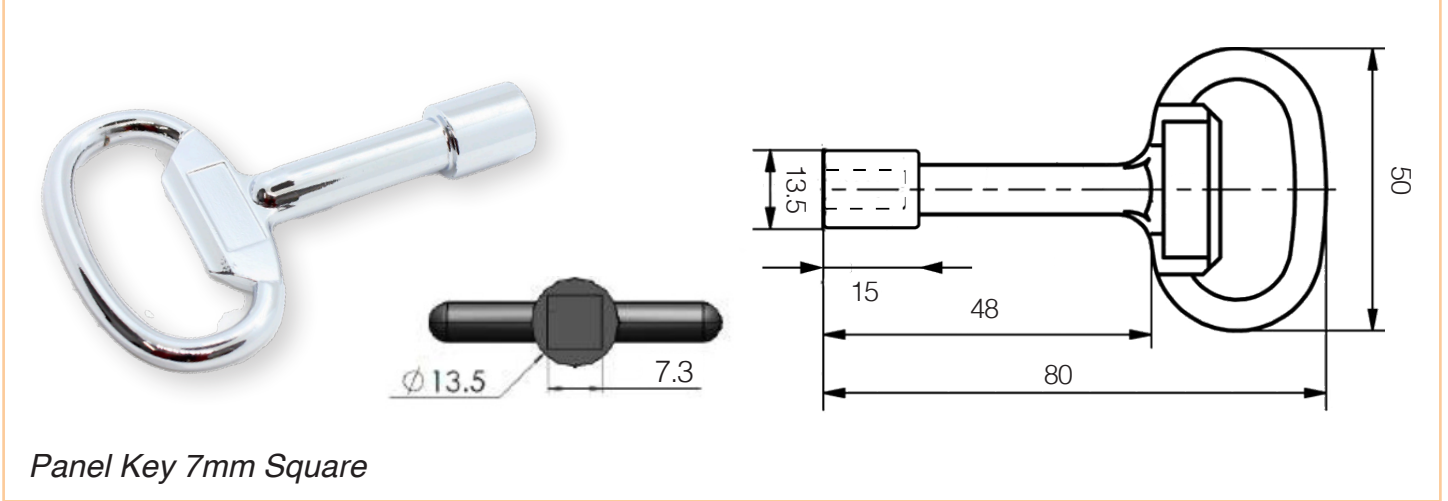
KEY-8MMS	8mm Square	Zinc
-----------------	-------------------	-------------



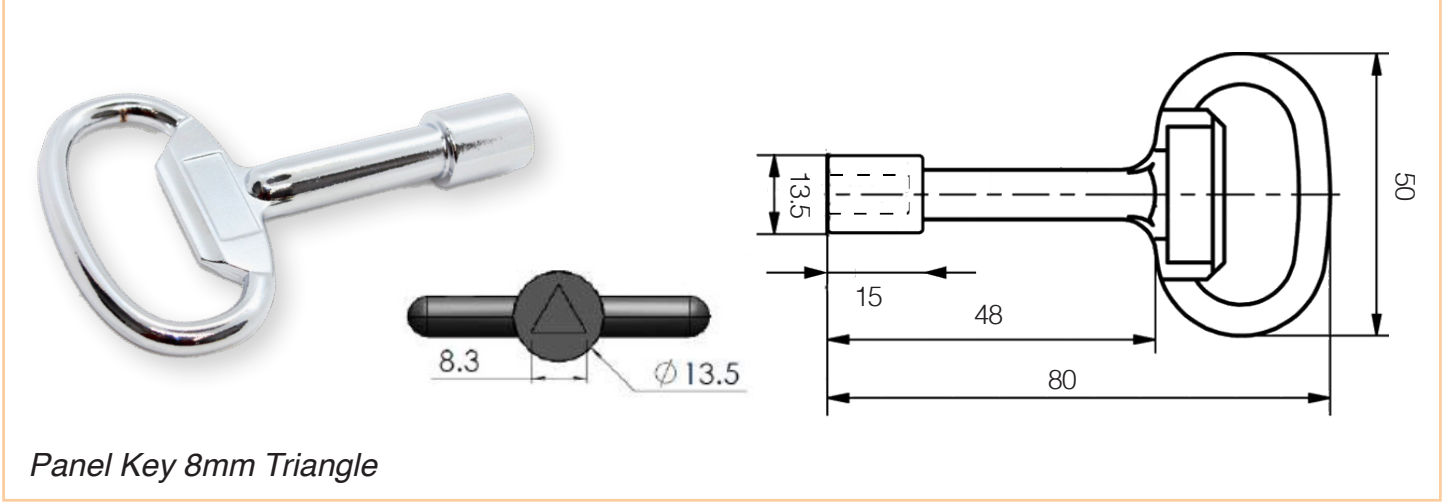
Panel Key 8mm Square

ENCLOSURE KEYS

KEY-7MMS	7mm Square	Zinc
-----------------	-------------------	-------------



KEY-8MMT	8mm Triangle	Zinc
-----------------	---------------------	-------------



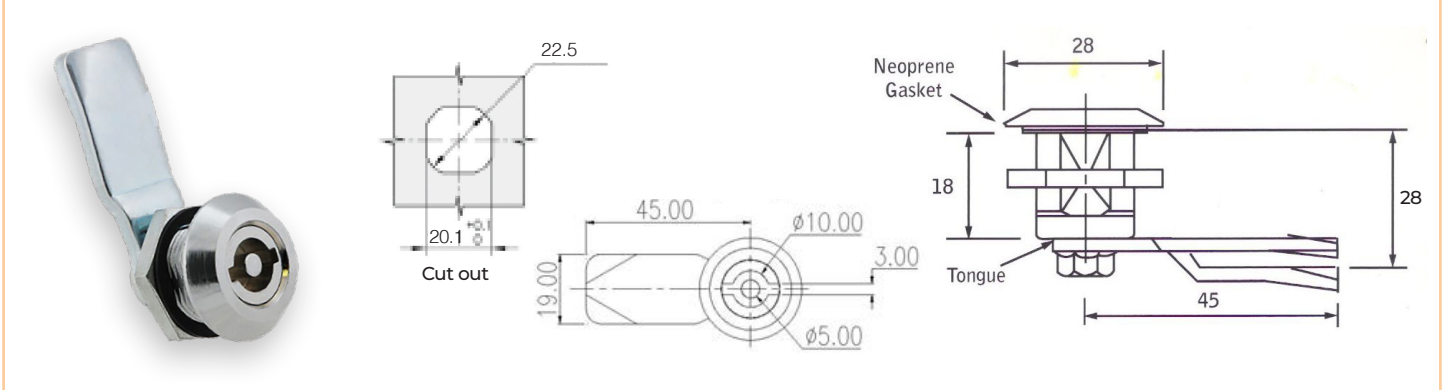
***If you require an enclosure key that is not listed above, contact our sales team for assistance with finding the right enclosure key to suit your requirements.*



QUARTER TURN LATCHES

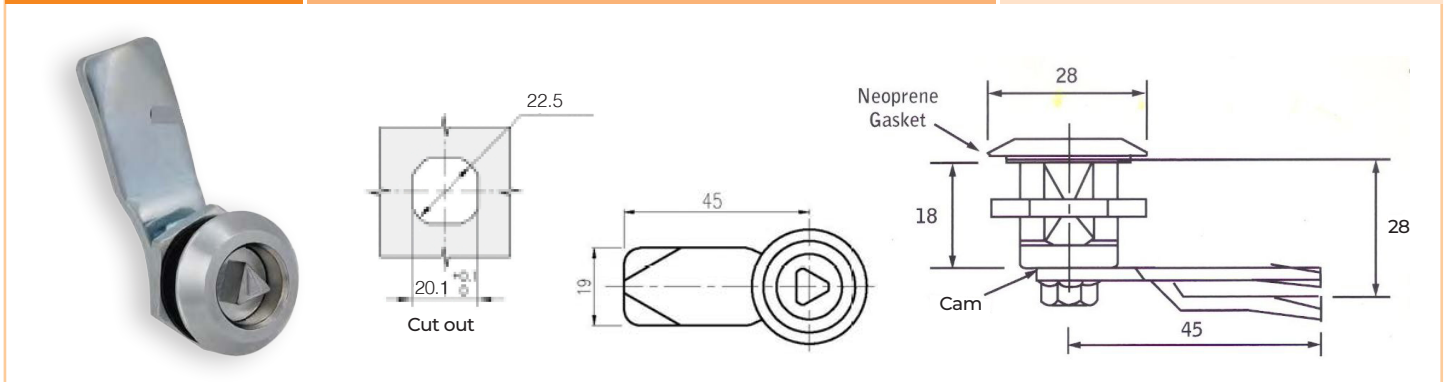


PQTL5DB	Quarter Turn Latch 5mm Double Bit Drive w/ CAM	Zinc Cast, Bright Chrome Finish
PQTL5DB-SS	Quarter Turn Latch 5mm Double Bit Drive w/ CAM	Stainless Steel Brushed Finish



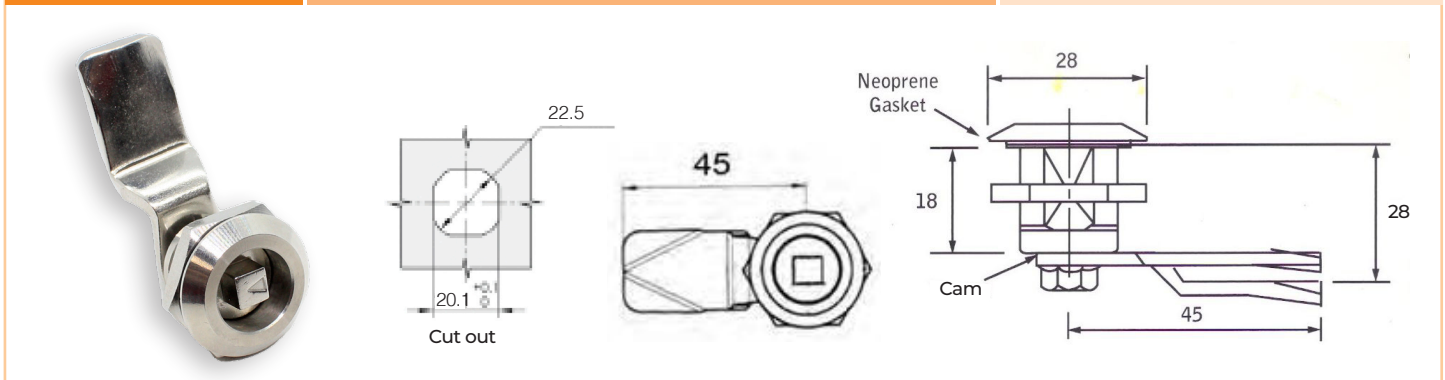
5mm Pin "Double Bit" Barrel, IP65, Comes Standard with Cam 28 (see Page 16 for other options)

PQTL8T	Quarter Turn Latch 8mm Triangle Drive w/ CAM	Zinc Cast, Bright Chrome Finish
PQTL8T-SS	Quarter Turn Latch 8mm Triangle Drive w/ CAM	Stainless Steel Brushed Finish



8mm Triangle Barrel, IP65, Comes Standard with Cam 28 (see Page 16 for other options)

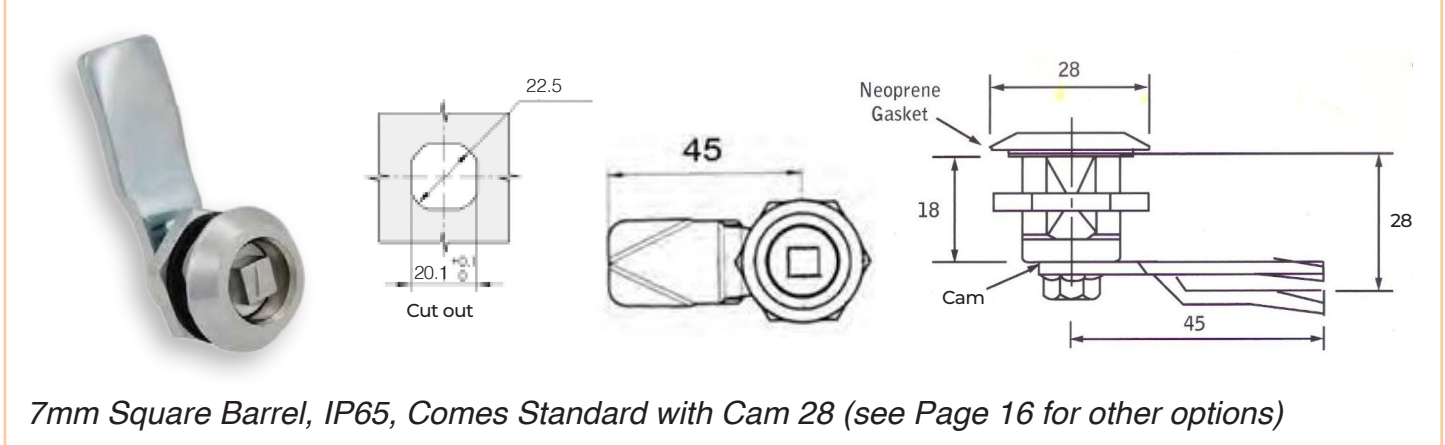
PQTL8S	Quarter Turn Latch 8mm Square Drive w/ CAM	Zinc Cast, Bright Chrome Finish
PQTL8S-SS	Quarter Turn Latch 8mm Square Drive w/ CAM	Stainless Steel Brushed Finish



8mm Square Barrel, IP65, Comes Standard with Cam 28 (see Page 16 for other options)

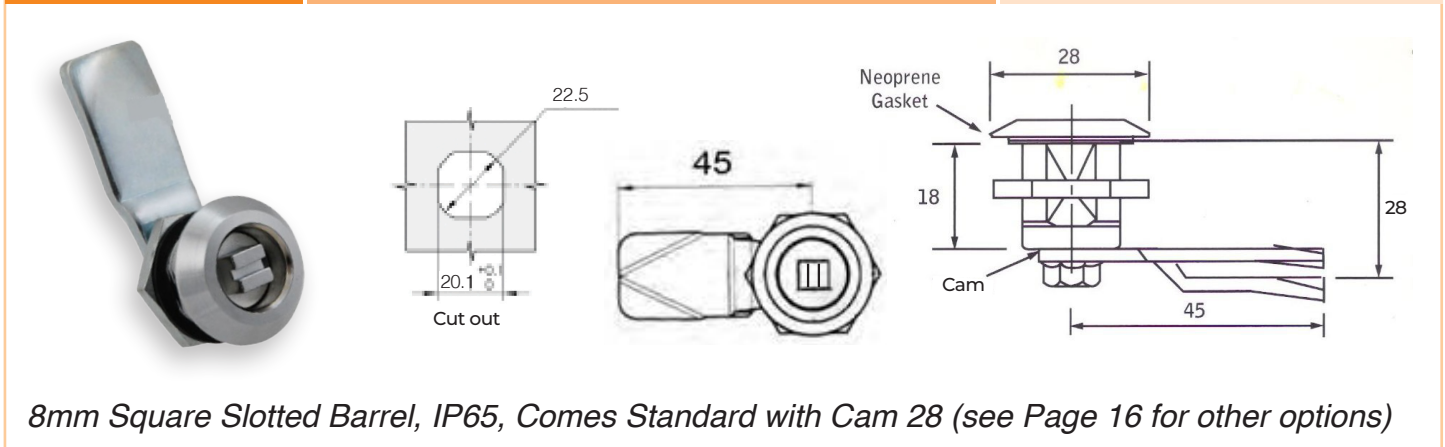
QUARTER TURN LATCHES

PQTL7S	Quarter Turn Latch 7mm Square Drive w/ CAM	Zinc Cast, Bright Chrome Finish
PQTL7S-SS	Quarter Turn Latch 7mm Square Drive w/ CAM	Stainless Steel Brushed Finish

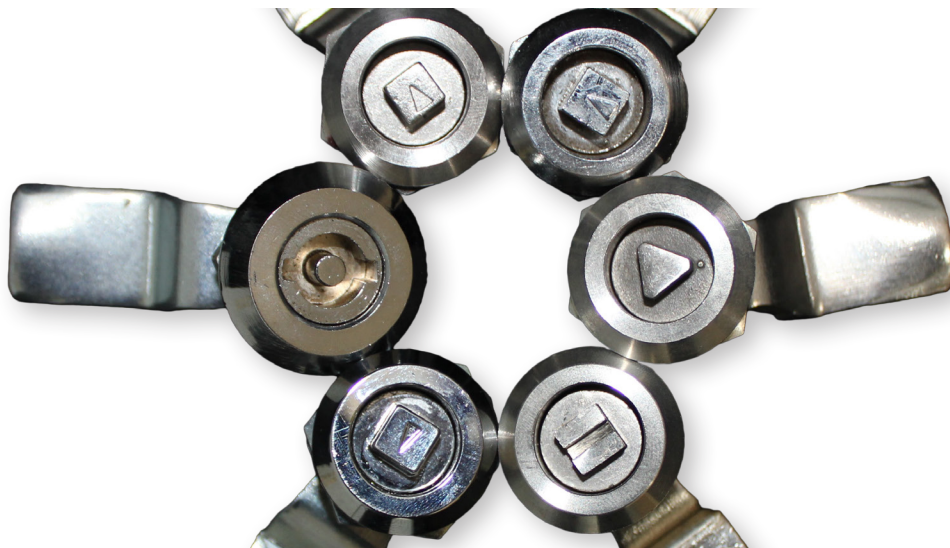


7mm Square Barrel, IP65, Comes Standard with Cam 28 (see Page 16 for other options)

PQTL8SS	Quarter Turn Latch 8mm Square Slotted Drive w/CAM	Zinc Cast, Bright Chrome Finish
PQTL8SS-SS	Quarter Turn Latch 8mm Square Slotted Drive w/CAM	Stainless Steel Brushed Finish



8mm Square Slotted Barrel, IP65, Comes Standard with Cam 28 (see Page 16 for other options)



QUARTER TURN LOCKS



PQTPC	Quarter Turn Padlockable Collar	Mild steel
<p>Quarter Turn Padlockable Collar Suitable for Most Standard Quarter Turn Locks.</p>		


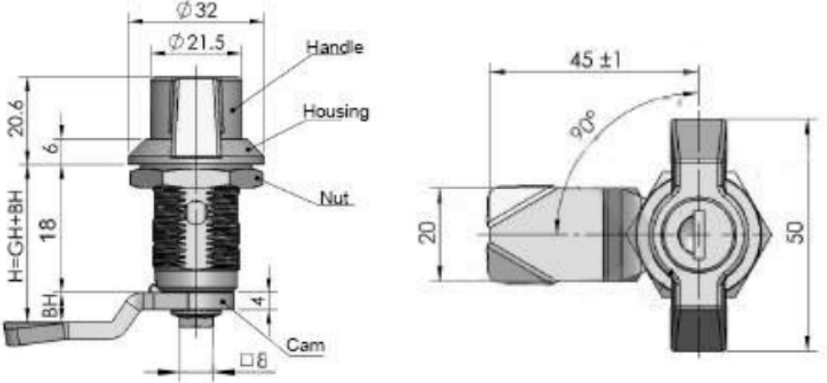
PPLQTL-SS	Stainless Steel PadLockable Wingknob w/ CAM	Brushed Stainless Steel Finish
<p>WingKnob, Nut, Comes Standard with Cam 28 (see Page 16 for other options)</p>		

PPLQTL	Chrome & Poly Padlockable Wingknob w/ CAM	Black Poly Knob, Zinc Die Cast
<p>Polyamide Knob, Chrome Finish Nut, Comes Standard with Cam 28 (see Page 16 for other options)</p>		

QUARTER TURN LOCKS


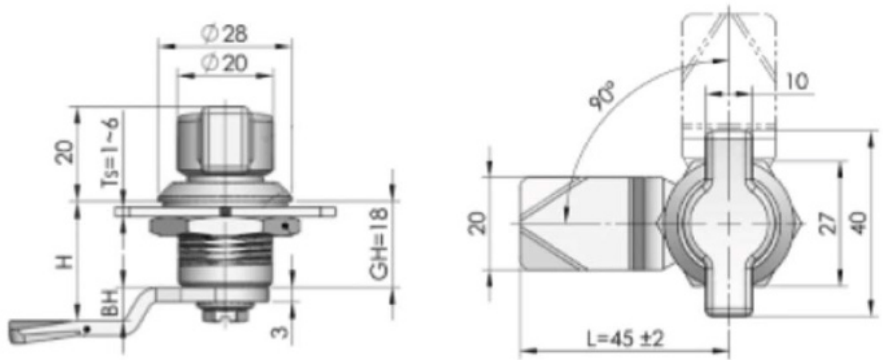


KEYLWK	Black Poly Keylockable Wing Knob	Black Poly Knob, Zinc Die Cast
---------------	----------------------------------	--------------------------------

Black Keylockable Wing Knob Quarter Turn Lock Key type CL001 or 92268, Comes Standard with Cam 28 (see Page 16 for other options)

PQTLWK	Black Poly Wingknob w/CAM	Black Poly Knob, Zinc Die Cast
---------------	---------------------------	--------------------------------

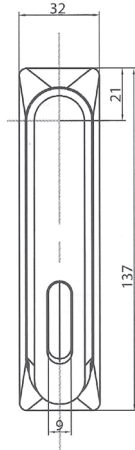
Poly Knob, Zinc Nut, Comes Standard with Cam 28 (see Page 16 for other options)



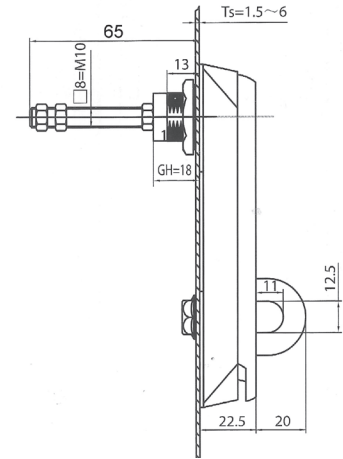
HANDLES



PPLSH-2	Padlockable Swing Handle	316 Stainless Steel Brushed Finish
PPLSH-CHROME	Padlockable Swing Handle	Zinc Die Cast, Bright Chrome Finish

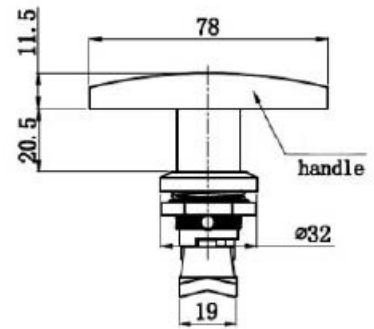
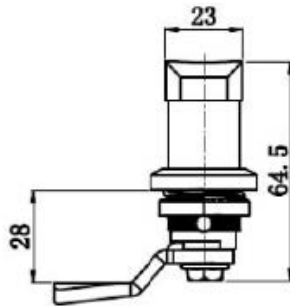


Panel Cutout



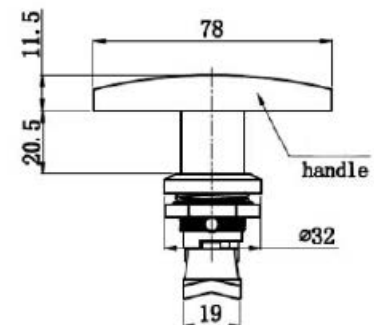
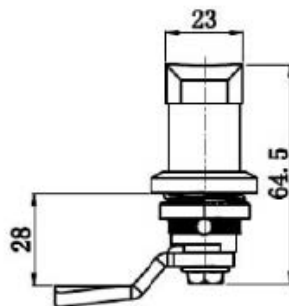
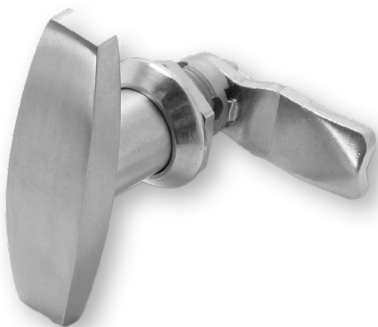
Padlockable Swing Handle including CAM Wedge

THANDLE-L-C	T Handle Lockable Quarter Turn - Small	Zinc Die Cast, Bright Chrome Finish
--------------------	--	-------------------------------------



Chrome Lockable Keyed 92268 Quarter Turn, Comes Standard with Cam 28 (see Page 16 for other options)

THANDLE-NL-SS	T Handle Non-Locking Stainless Steel	316 Stainless Steel Brushed Finish
----------------------	--------------------------------------	------------------------------------



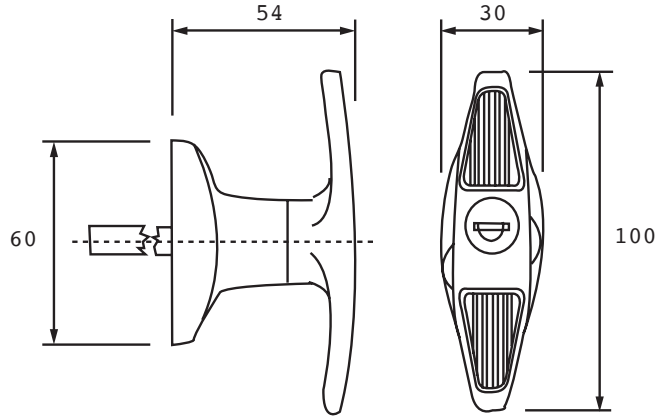
316 Stainless Steel T Handle IP65 , Comes Standard with Cam 28 (see Page 16 for other options)

HANDLES

THANDLE-L-C-RF

T Handle Locking with Rear Fixing Large

Bright Chrome Finish

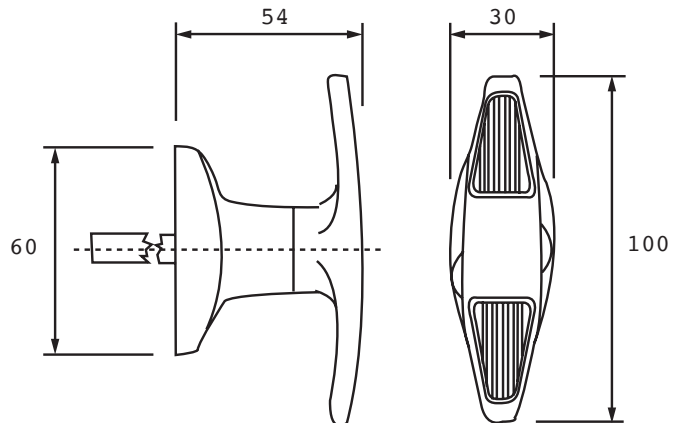


Chrome T Handle Key Large Locking Concealed Rear Fixing with spindle Keyed 92268 or CL001

THANDLE-NL-C-RF

T Handle Non-Locking with Rear Fixing Large

Bright Chrome Finish

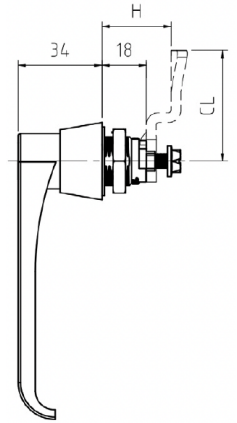
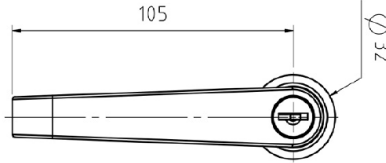


Chrome T Handle Large Non Locking Rear Fixing with Spindle



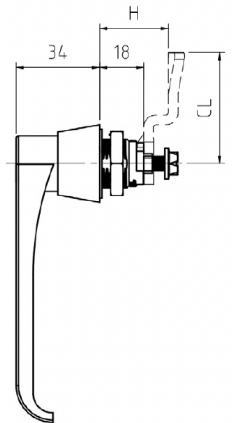
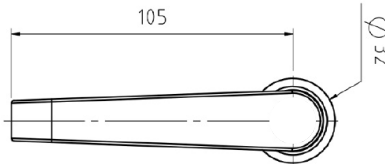
HANDLES

LHANDLE-KL-SS	L Handle, Keylockable Quarter Turn	Stainless Steel
LHANDLE-KL-C	L Handle, Keylockable Quarter Turn	Chrome



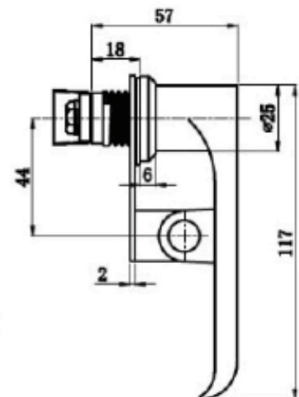
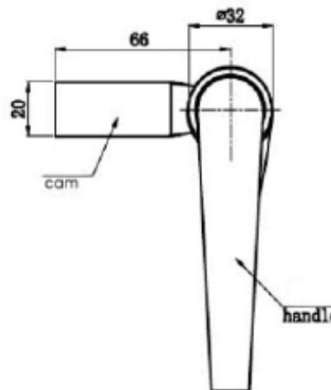
L Handle, Keylockable 1/4 Turn, Comes Standard with Cam 28 (see Page 16 for other options)

LHANDLE-NL-SS	L Handle, Non-Lockable Quarter Turn	Stainless Steel
----------------------	-------------------------------------	------------------------



L Handle, Non-Lockable 1/4 Turn, Comes Standard with Cam 28 (see Page 16 for other options)

LHANDLE-PAD-CW-C	L Handle, Padlockable 1/4 turn, Clockwise	Chrome
LHANDLE-PAD-AC-C	L Handle, Padlockable 1/4 turn, Anti-Clockwise	Chrome



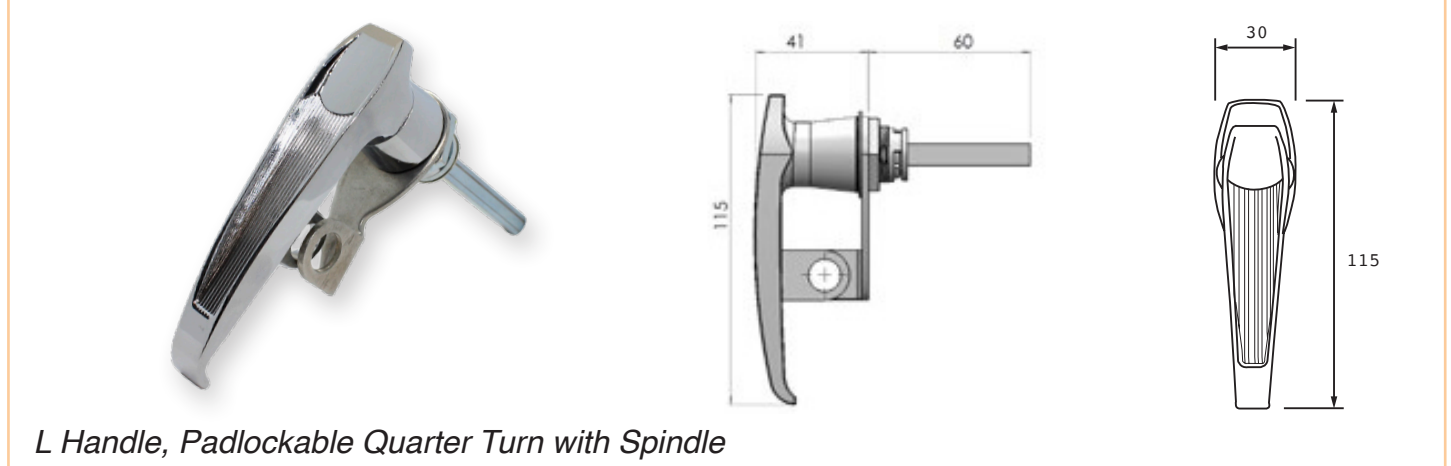
L Handle, Padlockable 1/4 turn, Comes Standard with Cam 28 (see Page 16 for other options)

HANDLES



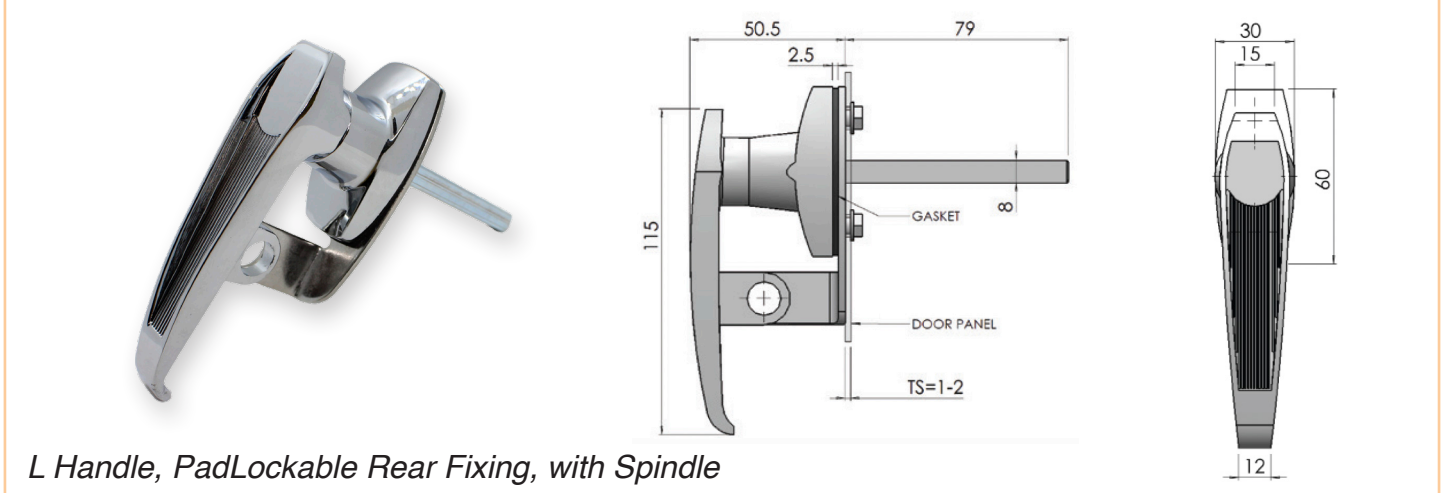
LHANDLE-PAD-CW-S	L Handle, Padlockable 1/4 Turn Clockwise W Spindle	Chrome
-------------------------	--	---------------

LHANDLE-PAD-AC-S	L Handle, Padlockable 1/4 Turn Anti-clockwise W Spindle	Chrome
-------------------------	---	---------------

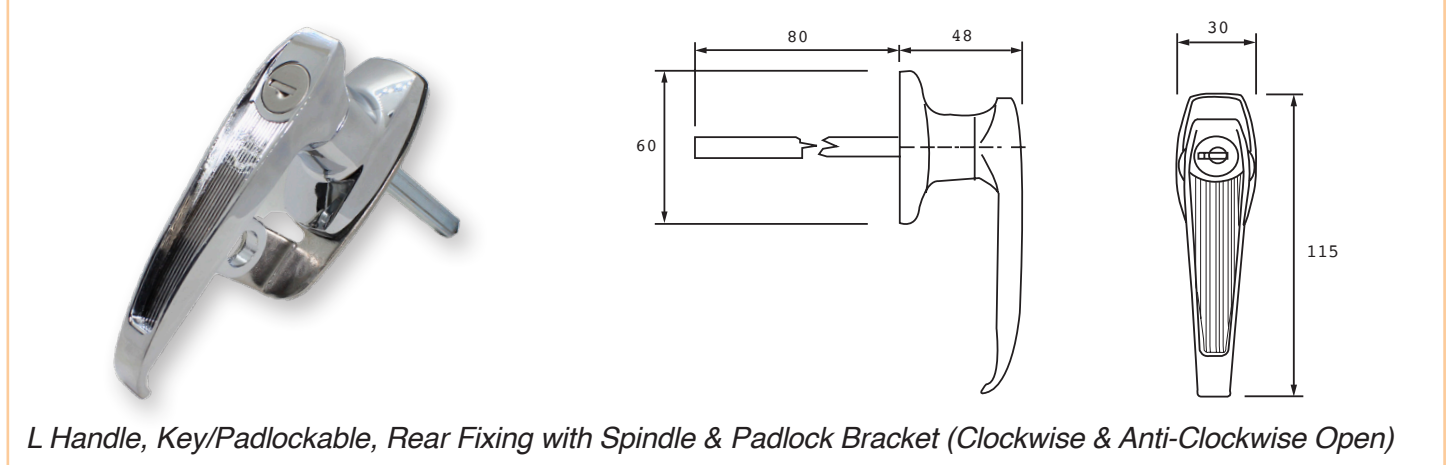


LHANDLE-PAD-CW-RF-S	L Handle, Padlockable Rear Fixing, Clockwise	Chrome
----------------------------	--	---------------

LHANDLE-PAD-AC-RF-S	L Handle, Padlockable Rear Fixing, Anti-clockwise	Chrome
----------------------------	---	---------------




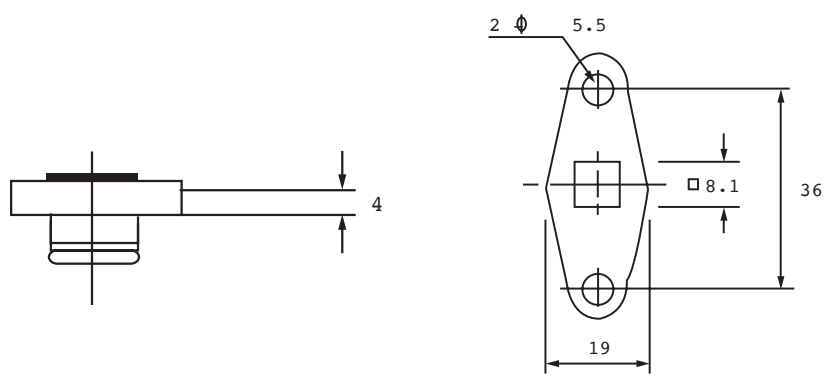
LHANDLE-KL-PAD-RF-S	L Handle, Key/Padlockable , Rear Fixing W Spindle	Chrome
----------------------------	---	---------------



CAMS & 3 POINT LOCKING RODS


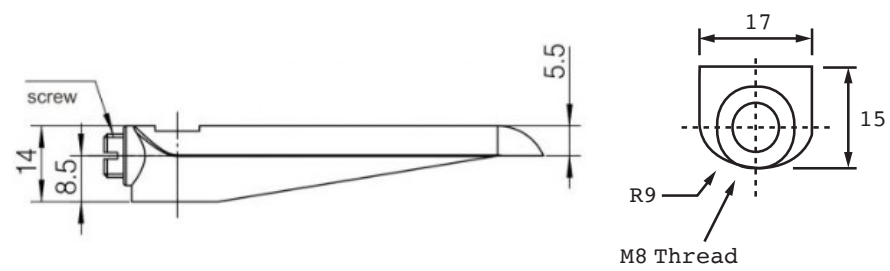


2PT-CAM	2 Point Locking Cam Zinc Plated	Zinc Plated
----------------	---------------------------------	-------------


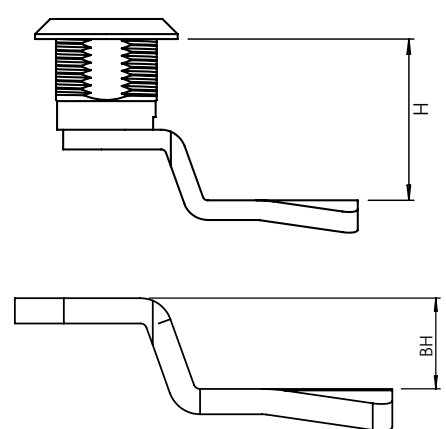



2 Point Cam & Rod Adapters

SP-CAM	Single Point Tongue Cam	Zinc Plated
---------------	-------------------------	-------------

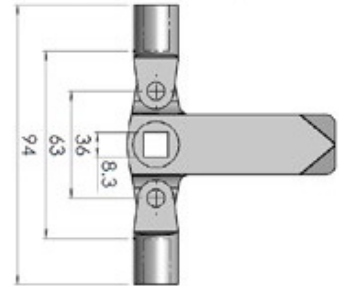
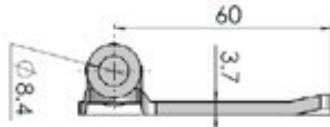
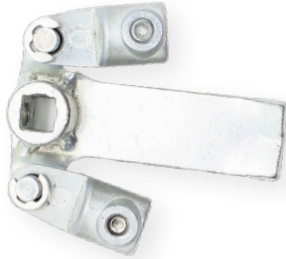
Single Point Tongue Cam, Suits 8mm Square Shaft, Fully Adjustable

QT CAMS	H	BH	Mild Steel as Standard (Stainless Steel Available on Request)
QT-CAM4	4MM	-14MM	H = Overall Height BH = Bend Height of Cam Only   (Assuming Lock Body is 18mm)
QT-CAM14	14MM	-4MM	
QT-CAM18	18MM	0MM	
QT-CAM20	20MM	2MM	
QT-CAM22	22MM	4MM	
QT-CAM25	25MM	7MM	
QT-CAM28	28MM	10MM	
QT-CAM36	36MM	18MM	
QT-CAM41	41MM	23MM	
QT-CAM47	47MM	29MM	
QT-CAM50	50MM	32MM	

CAMS & 3 POINT LOCKING RODS

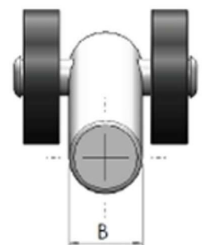
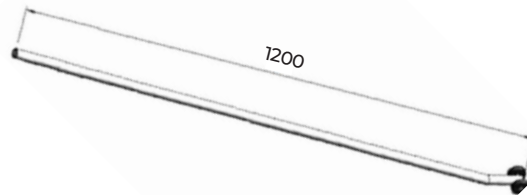


3PT-CAM	3 Point Locking Cam	Zinc Plated
3PT-CAM-SS	3 Point Locking Cam	Stainless Steel



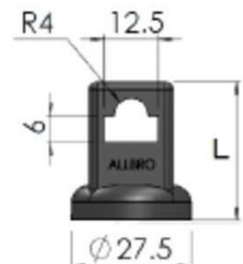
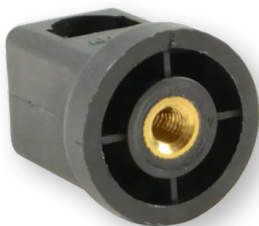
3 Point Locking Cam with Rod Adapters. 70mm Overall, 60mm from Shaft to End of Cam

LRMS1200NR	MS Locking Rod W Nylon Rollers	Mild Steel & Nylon
LRMS1200SR	MS Locking Rod W Stainless Steel Rollers	Mild Steel & Stainless Steel
LRSS1200SR	SS Locking Rod W Stainless Steel Rollers	All Stainless Steel



Locking Rod, 1200mm (L), Stainless OR Mild Steel with Nylon Or Stainless Steel Rollers

RODGUIDE	Rod Guide 38mm	Polyamide
-----------------	----------------	-----------

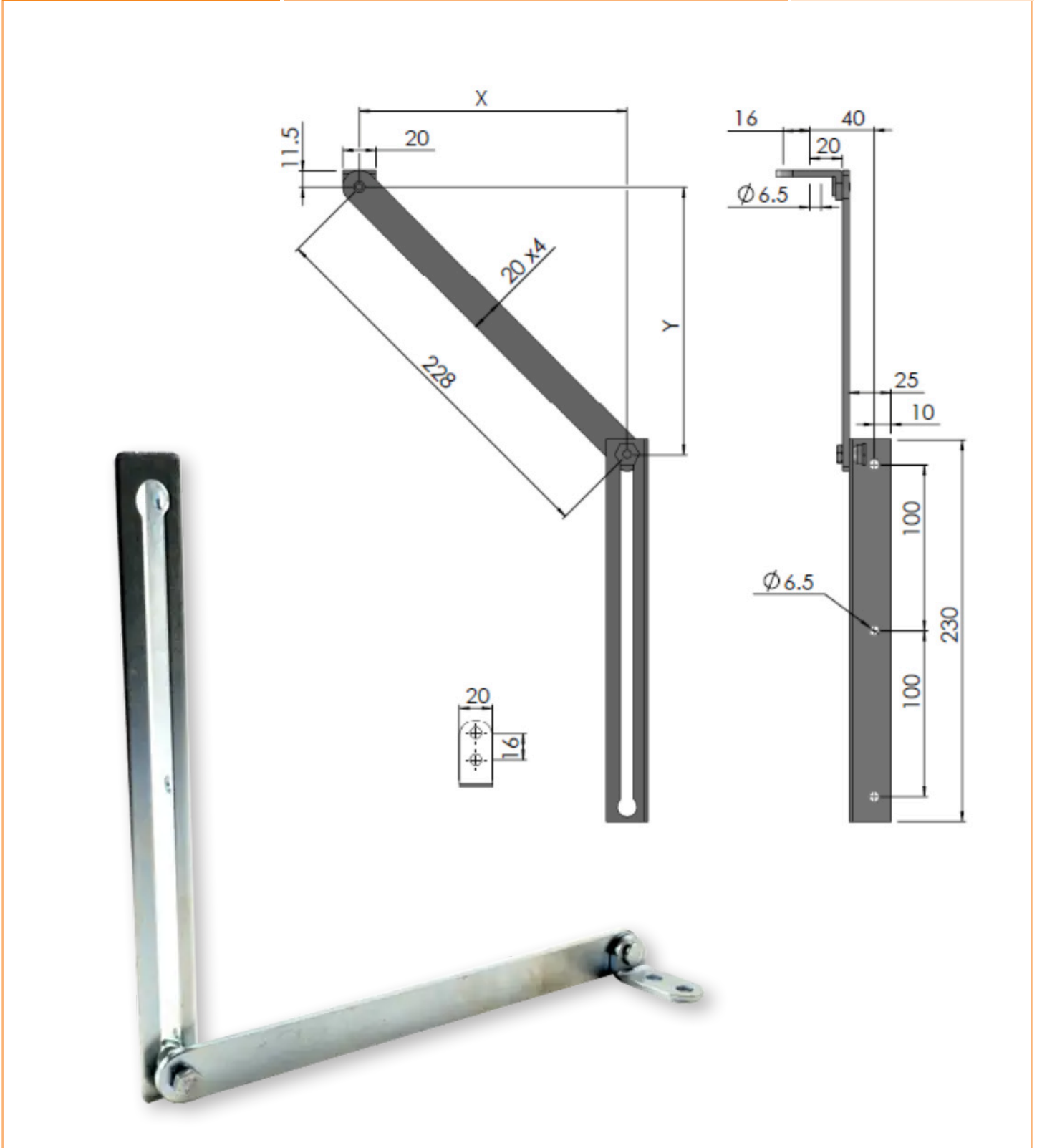


3PTLOCK-KIT	3 Point Locking System Kit	Various Materials Available
--------------------	----------------------------	-----------------------------

Kit Includes, 2 x Locking Rods (1200mm long), 1 x 3 Point Cam, 2 x Rod Guides
(Customisable with your choice of available materials)

DOOR STAYS

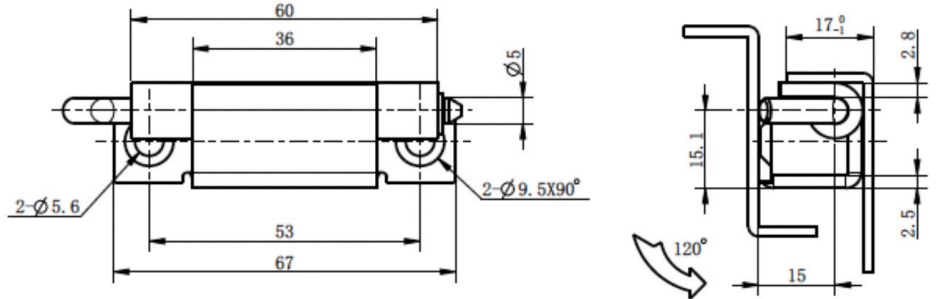
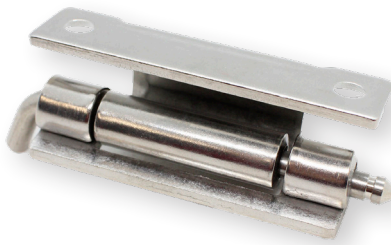
DOORSTAY-SS	Bolt on Door Stay Stainless Steel	Stainless Steel
DOORSTAY-Z	Bolt on Door Stay Zinc Plated Steel	Zinc Plated Steel



HINGES

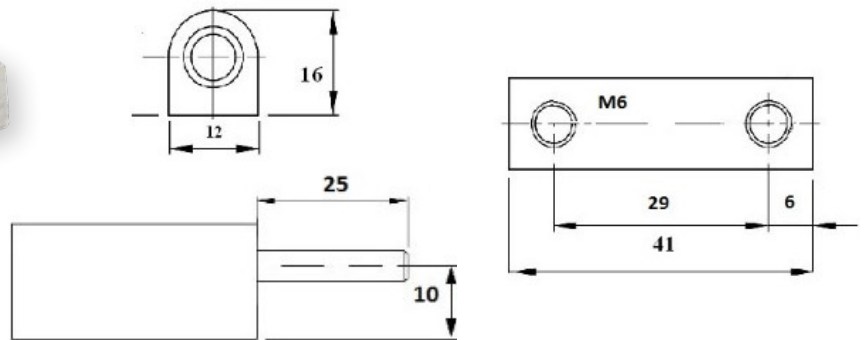


CON-HINGE	Bolt On Concealed Hinge	304 Stainless Steel
------------------	--------------------------------	----------------------------



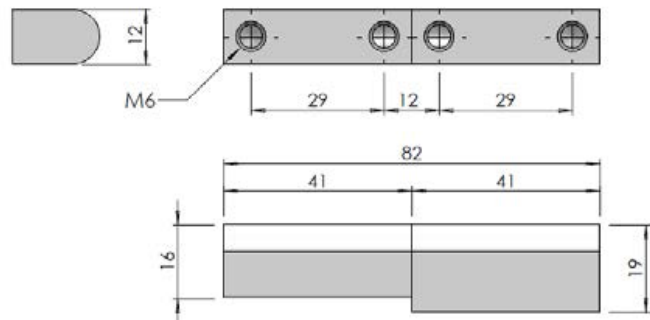
304 Grade Stainless Steel Hinge with Stainless Steel Removable Pin

B/OPINTLE-SS	Bolt on Pintle Hinge 82mm	Stainless Steel
B/OPINTLE-C	Bolt on Pintle Hinge 82mm	Chrome



82mm Brass Hinge Chrome/Stainless Steel Plated with Phillips Hex Head Screws Supplied

B/OPINTLE-82C3S	Bolt On Pintle Hinge 82mm W 3mm Step	Chrome
B/OPINTLE-82SS3S	Bolt On Pintle Hinge 82mm W 3mm Step	Stainless Steel

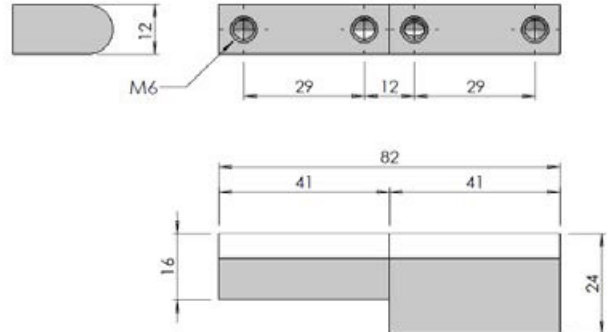
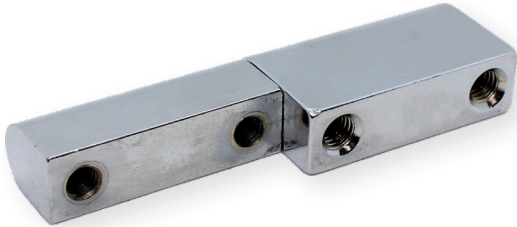


82mm Brass Hinge Chrome/Stainless Steel Plated 3mm Step, with SS Pin, Phillips Hex Head Screws Supplied

HINGES

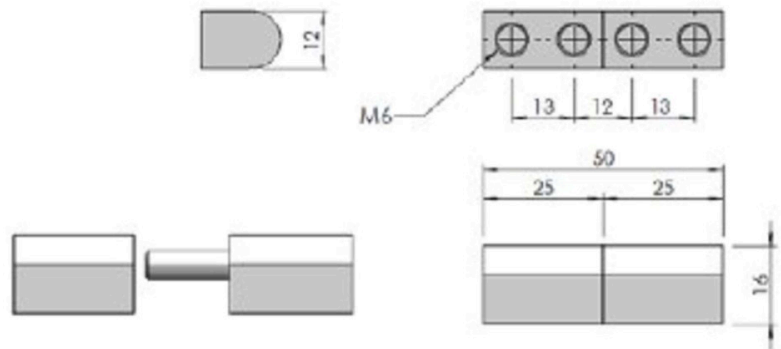


B/OPINTLE-82C8S	Bolt On Pintle Hinge 82mm W 8mm step	Chrome
------------------------	---	---------------



82mm Brass Hinge Chrome Plated 8mm Step, with Stainless Steel Pin, Phillips Hex Head Screws Supplied

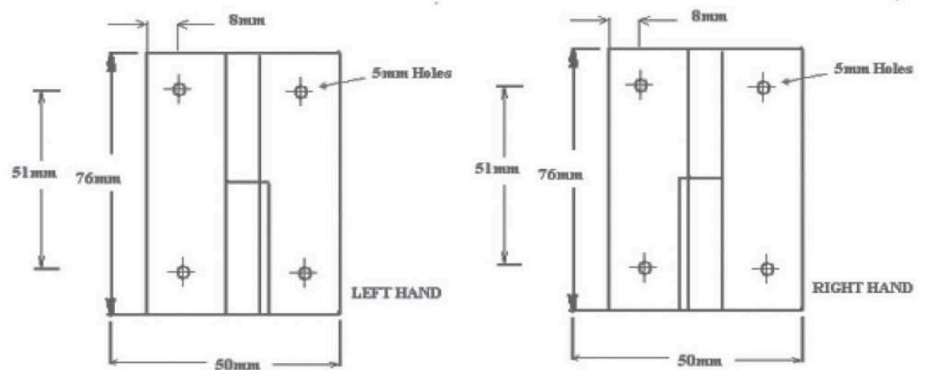
B/OPINTLE50-SS	Bolt On Pintle Hinge 50mm	Stainless Steel
-----------------------	----------------------------------	------------------------



50mm Stainless Steel Hinge, with Stainless Steel Pin, Phillips Hex Head Screws Supplied.

LOH-SS-LH	Lift Off Hinge LEFT HAND Side Use	Stainless Steel
------------------	--	------------------------


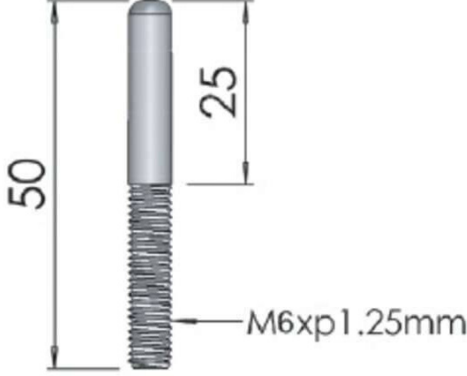
LOH-SS-RH	Lift Off Hinge RIGHT HAND Side Use	Stainless Steel
------------------	---	------------------------

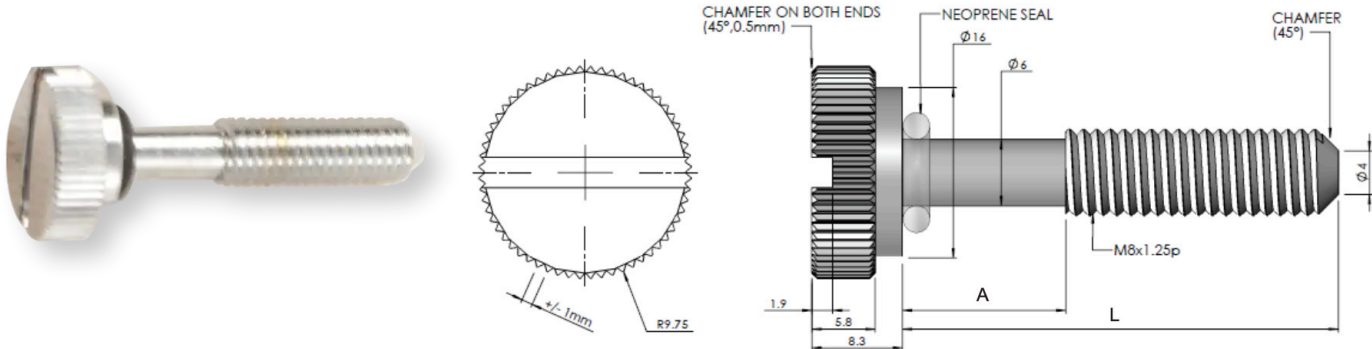


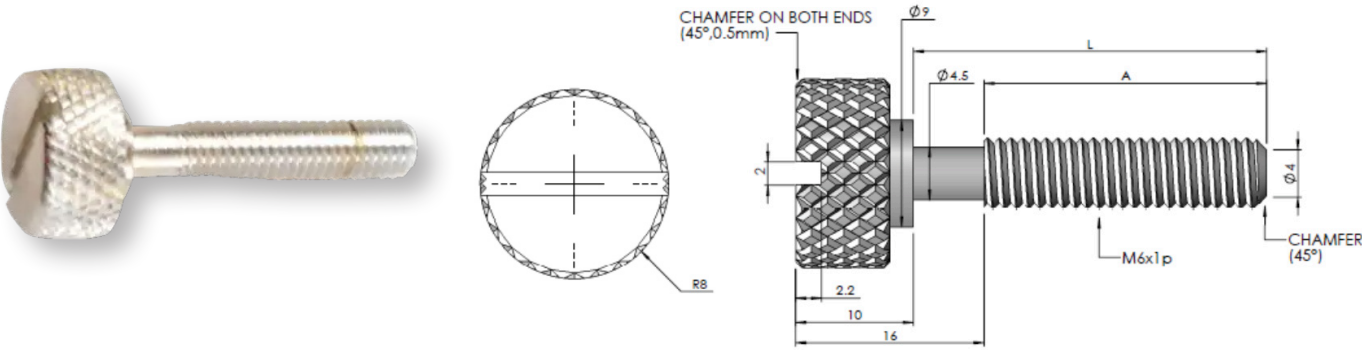
304 Stainless Steel Lift Off Hinge 50mm x 76mm x 1.5mm 5mm Mounting Holes, 6.35mm Thick Pin

THUMB SCREWS & LOCATING PINS



M6-LP	M6 Locating Pin	Brass Chrome Plated
		
<p>M6 Locating Pin Brass Chrome plated, (H)50</p>		

M6X30KTS	M6 x 30mm Knurled Thumb Screw	Brass Chrome Plated
		<p>M6 x 30mm Knurled Thumb Screw Chrome Plated with O-ring, (L)30mm x (A)24mm</p>

M6X40KTS	M6 x 40mm Knurled Thumb Screw	Brass Chrome Plated
		<p>M6 x 40mm Knurled Thumb Screw, Chrome Plated with O-ring, (L)40mm x (A)24mm</p>

EARTH & NEUTRAL BARS

PROENB-DE6	DE Range Neutral Bar 6 Way	Brass with Mild Steel & Brass Screws
PROENB-DE12	DE Range Neutral Bar 12 Way	Brass with Mild Steel & Brass Screws
PROENB-DE18	DE Range Neutral Bar 18 Way	Brass with Mild Steel & Brass Screws
PROENB-DE24	DE Range Neutral Bar 24 Way	Brass with Mild Steel & Brass Screws
PROENB-DE36	DE Range Neutral Bar 36 Way	Brass with Mild Steel & Brass Screws
PROENB-DE48	DE Range Neutral Bar 48 Way	Brass with Mild Steel & Brass Screws



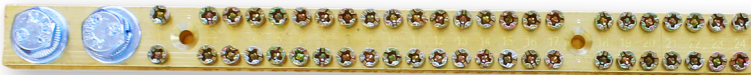
6 Way, 10.5 x 1.9mm



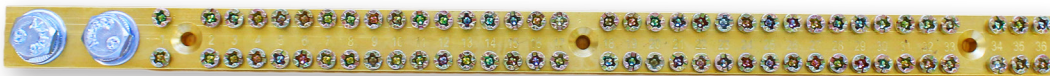
12 Way, 14.5 x 1.9mm



18 Way, 18.5 x 1.9mm



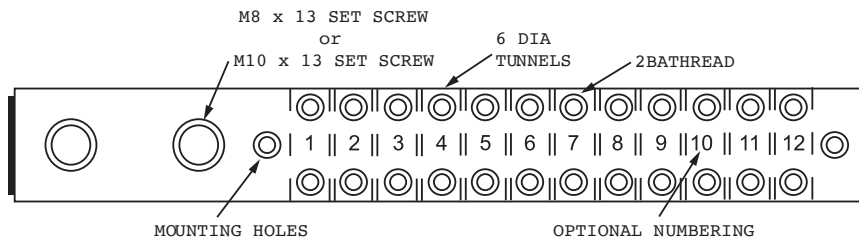
24 Way, 23 x 1.9mm



36 Way, 32 x 1.9mm



48 Way, 41 x 1.9mm

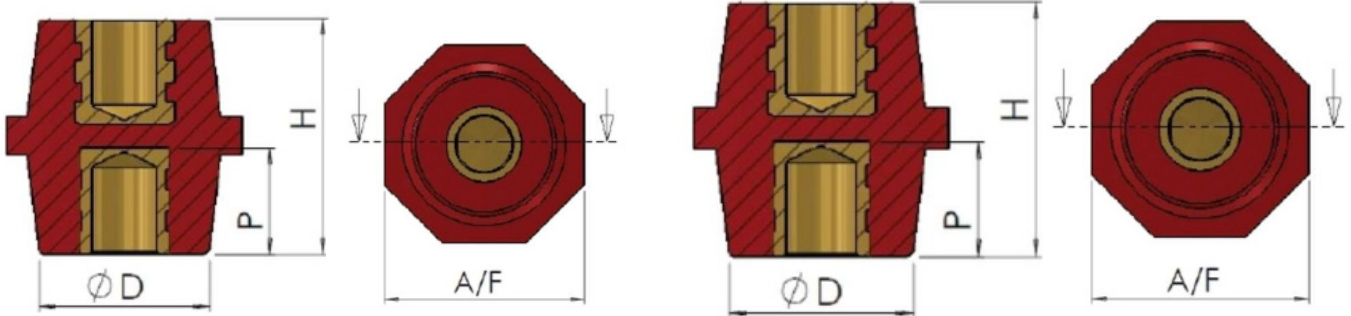


DE Range Neutral Bar, 2 x M8 Screws for 165Amp Cables, 2 x M4 Posi-drive screws per numbered tunnel Bar.

LOW VOLTAGE INSULATORS



BBLV-OP-8/10	Low Voltage Insulator	Glass Reinforced Polyester
BBLV-OP-12/8	Low Voltage Insulator	Glass Reinforced Polyester




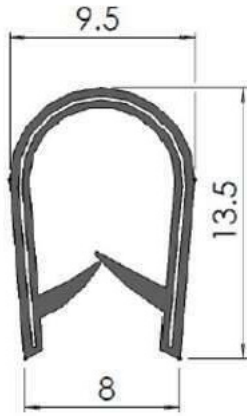
BBLV-OP-8/10			
H	D	A/F	P
50	35	50	15

BBLV-OP-12/8			
H	D	A/F	P
35	25	32	15

Dielectric Rating - 10KV, System Voltage Rating 1.1KV

DOOR GASKETS (PINCHWELD)



PINCH-EDGE-L	Pinchweld & Rubber Edge Black - Large	Rubber, EPDM, Black
		
<p><i>Soft Foam Rubber Edge EPDM Black Large</i></p>		

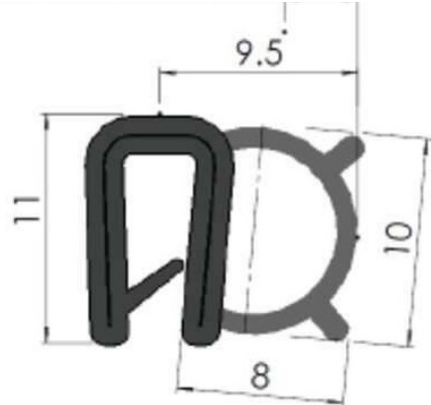
PINCH-EDGE-S	Pinchweld & Rubber Edge Black - Small	Rubber, EPDM, Black
		
<p><i>Soft Foam Rubber Edge EPDM Black Small</i></p>		

PINCH-SIDE-L	Pinchweld & Rubber on Side - Large	Metal Core, EPDM Foam Rubber
		
<p><i>Rubber Sealing EPDM With Metal Core, Soft Foam Rubber, Black Large</i></p>		

DOOR GASKETS (PINCHWELD)

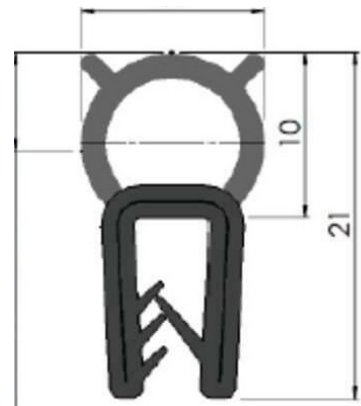


PINCH-SIDE-S | Pinchweld & Rubber on Side - Small | Metal Core, EPDM Foam Rubber



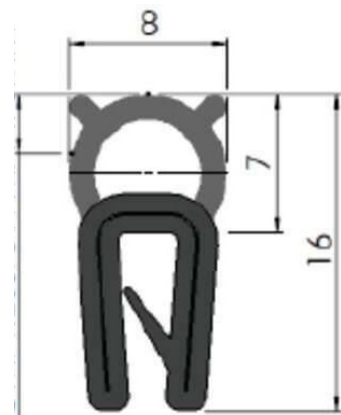
Rubber Sealing EPDM with Metal Core, Soft Foam Rubber, Black Small

PINCH-TOP-L | Pinchweld & Rubber on Top Black - Large | Metal Core, EPDM Foam Rubber



Rubber Sealing EPDM with Metal Core, Soft Foam Rubber, Black Large

PINCH-TOP-S | Pinchweld & Rubber on Top Black - Small | Metal Core, EPDM Foam Rubber



Rubber Sealing EPDM with Metal Core, Soft Foam Rubber, Black Small

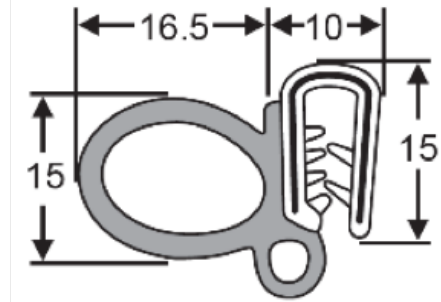
DOOR GASKETS (PINCHWELD)



PINCH-BULB-SPONGE

Pinchweld & Rubber Bulb Sponge

Rubber EPDM, Metal Core

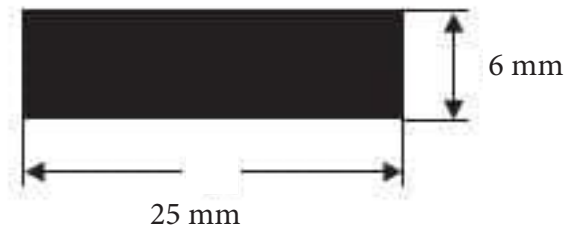


Rubber EPDM with Metal Core & Sponge Rubber Bulb, Black

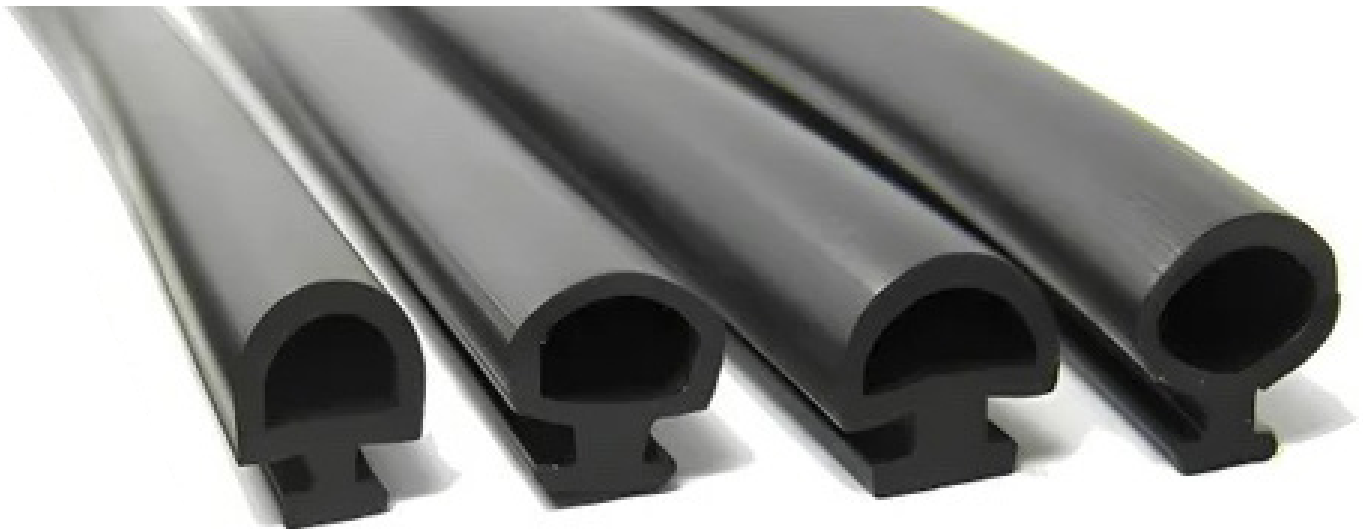
GSK-RUBBER-BULLNOSE

Bull Nose Sponge Rubber

EPDM Sponge Rubber



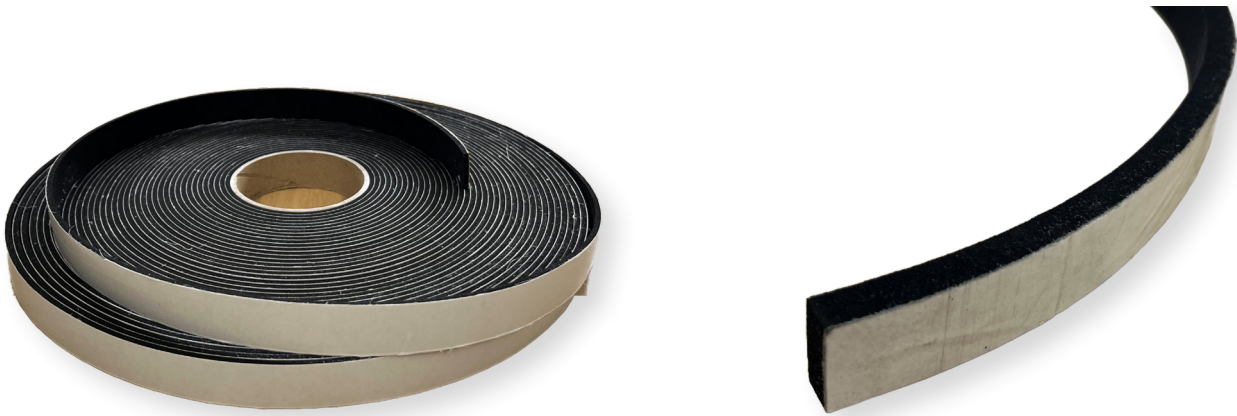
EPDM Sponge Rubber Extrusion Strip



DOOR GASKETS (ADHESIVE)

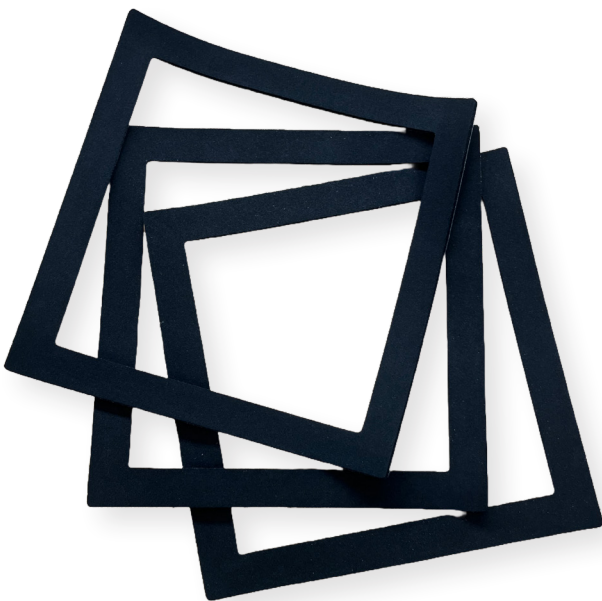


GSK-3/25MM	Gasket Foam 3x25mm W Adhesive Backing, 25m Roll	Neoprene
GSK-6.4/24MM	Gasket Foam 6.4x24mm W Adhesive Backing, 15m Roll	Neoprene
GSK-9.5/25MM	Gasket Foam 9.5x25mm W Adhesive Backing, 10m Roll	Neoprene



Gasket Foam, Expanded EPDM Sponge Rubber W Acrylic Adhesive. Quick Compression Recovery. Flame Retardant, Self Extingishing & CFC & HCFC Free.

CUSTOM CUT	Gasket Foam Custom Cut to Order (enquire for details)	Neoprene
-------------------	---	----------



Gasket Foam, Expanded EPDM Sponge Rubber W Acrylic Adhesive. Quick Compression Recovery. Flame Retardant, Self Extingishing & CFC & HCFC Free. (Custom Cut)

ELECTRICAL SWITCHBOARD & ENCLOSURE HARDWARE



CONTACT US

P 02 4964 9660

E sales@prolecaustralia.com.au

335 TOMAGO ROAD, TOMAGO NSW 2322

Don't see what you're looking for? We have over 1000 products available on our website.

www.prolecaustralia.com.au

Our enclosures are proudly 100% Australian made in our Newcastle facility using only the highest quality materials.

At Prolec Australia we strive to meet your needs and guarantee all of our products. If you are not 100% satisfied with your enclosures, we will replace them free of charge.

*Conditions Apply

