

INDUSTRIAL PC ENCLOSURES



WWW.PROLECAUSTRALIA.COM.AU

P: 02 49649660 E: sales@prolecaustralia.com.au

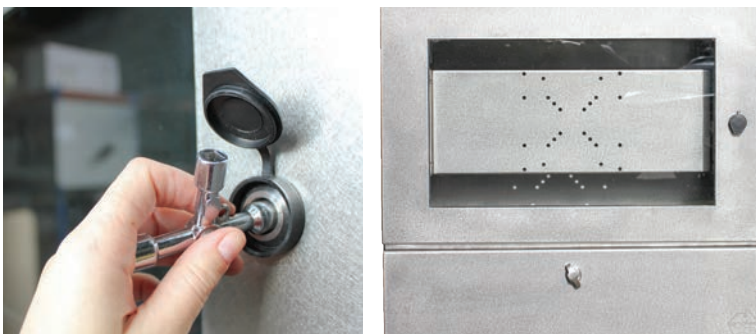
INDUSTRIAL PC ENCLOSURES

Prolec Australia's range of Industrial PC enclosures are designed to withstand the toughest conditions, protecting your PC from jet washing, harsh chemicals, and physical damage.

All our PC enclosures are constructed with 2mm thick 316 marine-grade stainless steel or 2mm mild steel with a powder-coated finish, ensuring long service life and maximum durability. Our PC enclosures are Australian-made and crafted in-house by our sheet metal surgeons.

Ideal For: Mine Sites, Industrial Workshops, Food and other production environments, Wash Down Areas, And More.

The Lexan viewing window ensures durability if an impact occurs, providing additional protection for your PC. Designed for easy mounting and secure installation, our PC enclosures feature IP-rated locks, allowing for safe jet washing and quick access inside the enclosure when required. The enclosures are customisable with various roof styles, monitor sizes and additional features to meet your needs.



STANDARD FEATURES

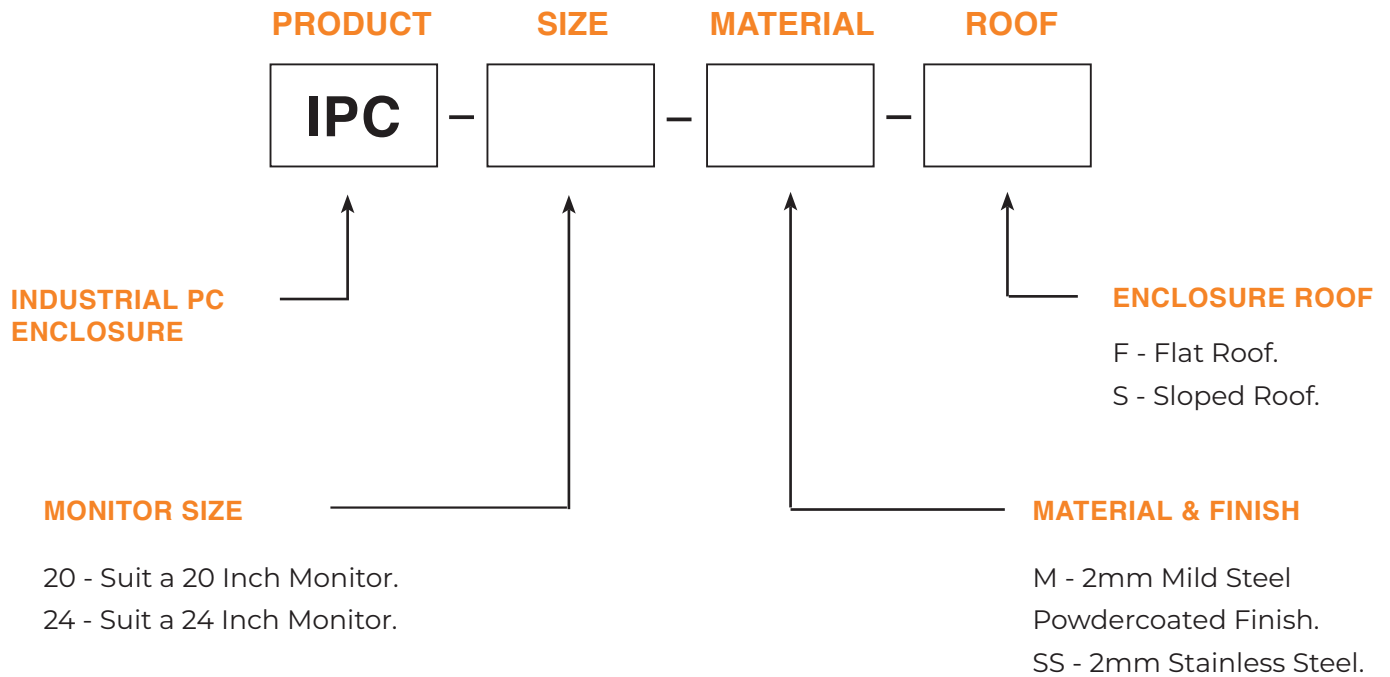
- 2mm thick 316 Stainless Steel or Mild Steel construction with Powdercoated finish (black or grey).
- 6mm lexan Window.
- Neoprene Door gasket .
- 8mm square quarter turn latch.
- 20" & 24" Monitor Options.
- Sloped roof for increased ingress protection.
- Pre-cut VESA mounting holes.
- Sliding Tray for keyboard & mouse.
- Neoprene mouse pad.
- Custom options available to suit your application or site-specific requirements.

OPTIONAL FEATURES

- Custom colour Powdercoated finish.
- Laminated Safety glass Window.
- Louvre Vents.
- Upgrade Locks (Padlockable etc).
- Custom Enclosure Sizes.

INDUSTRIAL PC ENCLOSURES

PC ENCLOSURE PART NUMBER GUIDE



OPTIONAL EXTRAS

- Custom colour Powdercoated finish.
- Upgrade to Laminated Safety glass Window (Standard will be 5mm Lexan).
- Louvre Vents.
- Upgrade Locks (Padlockable etc).

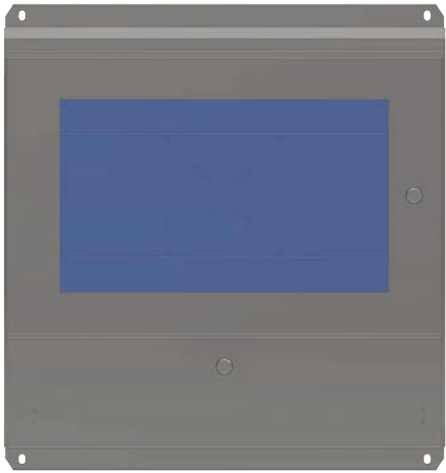
EXAMPLE

IPC-24-SS-F

IPC = Industrial PC Enclosure
 24 = 24 Inch Screen
 SS = 2mm Stainless Steel
 F = Flat Roof

INDUSTRIAL PC ENCLOSURES

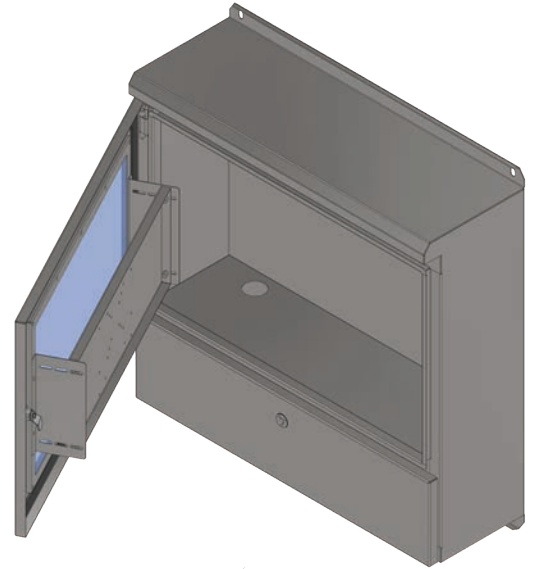
PC ENCLOSURE FLAT ROOF



FRONT VIEW

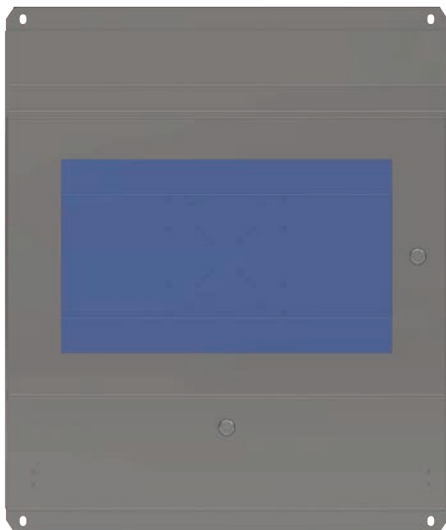


SIDE VIEW



ISOMETRIC VIEW

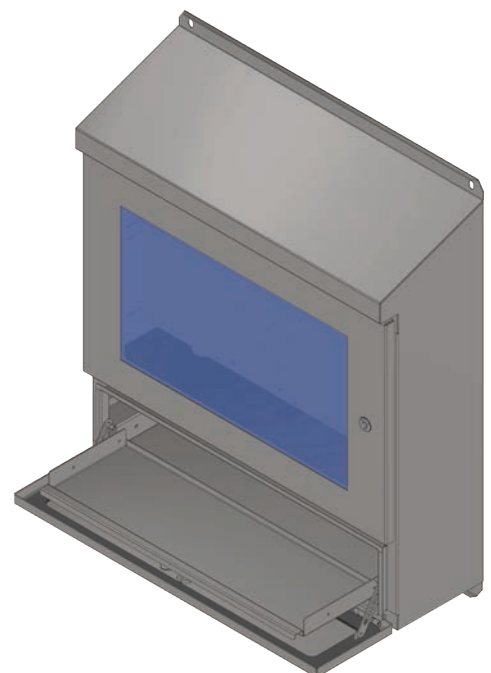
PC ENCLOSURE SLOPED ROOF



FRONT VIEW



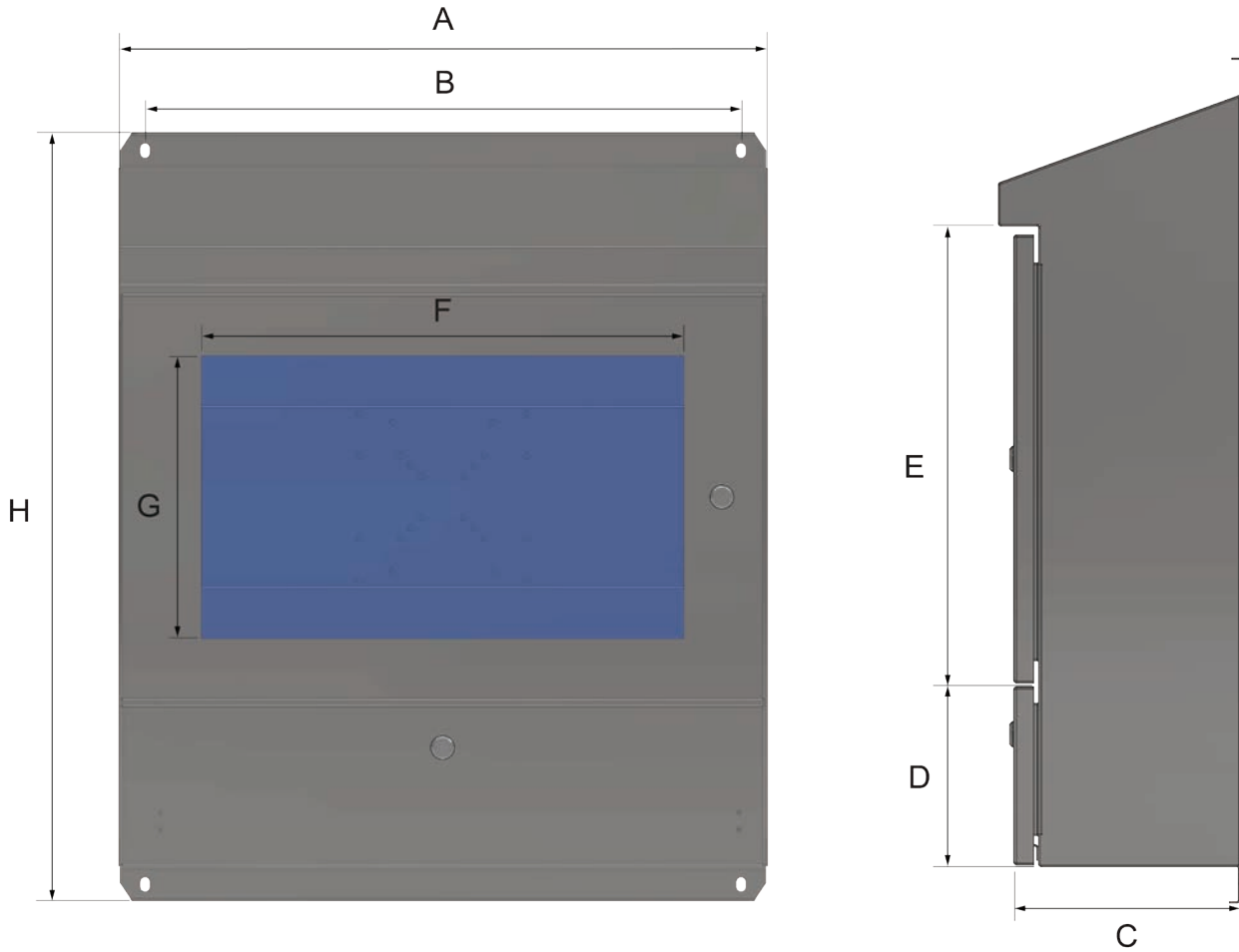
SIDE VIEW



ISOMETRIC VIEW

INDUSTRIAL PC ENCLOSURES

PC ENCLOSURE SPECIFICATIONS



INDUSTRIAL PC ENCLOSURE SIZE (mm)	ENCLOSURE					WINDOW		ROOF
	A	B	C	D	E	F	G	H
20" MONITOR FLAT ROOF	700	636	250	200	460	500	300	744
20" MONITOR SLOPED ROOF								840
24" MONITOR FLAT ROOF	780	716	250	200	500	580	340	785
24" MONITOR SLOPED ROOF								880