

# STAINLESS STEEL METERING PANELS



[WWW.PROLECAUSTRALIA.COM.AU](http://WWW.PROLECAUSTRALIA.COM.AU)

P: 02 49649660 E: [sales@prolecaustralia.com.au](mailto:sales@prolecaustralia.com.au)

# STAINLESS STEEL METERING PANELS



Prolec Australia's Metering Panels are engineered to endure the harshest conditions, providing reliable protection against environmental corrosion and ensuring long-lasting performance in any setting.

100% Australian made from high-quality 316-grade polished stainless steel, our Metering Panels are manufactured to withstand coastal climates and urban environments with high salinity water. The durable construction ensures that your home stands out while maintaining the integrity and security of your electrical infrastructure. **Ideal for: Coastal homes and areas or urban environments where saline water corrosion occurs.**

Our Stainless Steel Metering Panel range offers the flexibility of custom sizing and powder-coated finishes, allowing you to increase your home's appeal. The panels are designed with a removable, padlockable door for added security. The Metering Panels are equipped with a bakelite panel and can include a 24-pole circuit breaker housing.



## STANDARD FEATURES

- 316-grade polished stainless steel.
- Powder-coated finish options.
- Rubber grommets for cable protection.
- Bakelite panel and Brass earth bar.
- 24-pole circuit breaker housing.
- Removable, pad-lockable door with doorstay.
- Customisable sizing available.

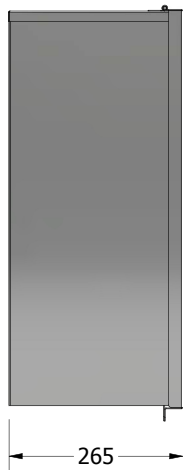
*Custom options are available to suit your application or site-specific requirements.*



# STAINLESS STEEL METERING PANELS



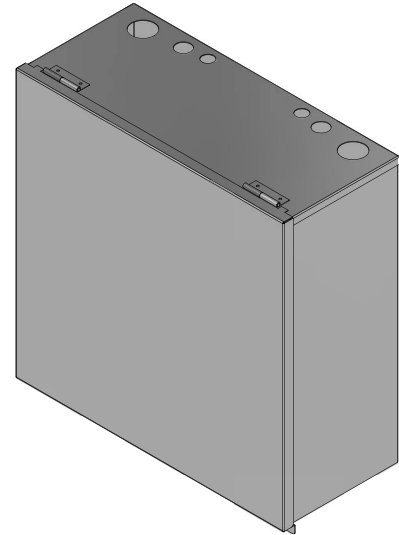
## SPECIFICATIONS



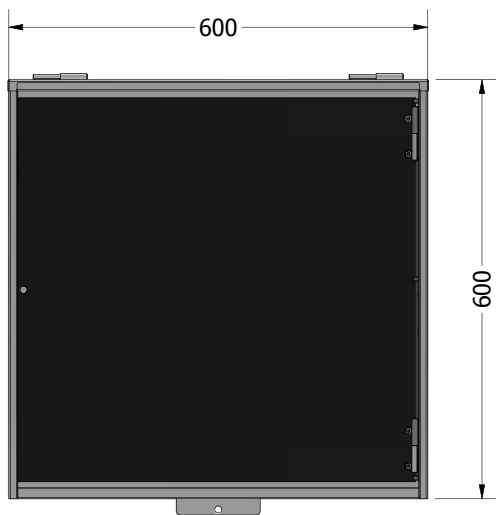
SIDE VIEW



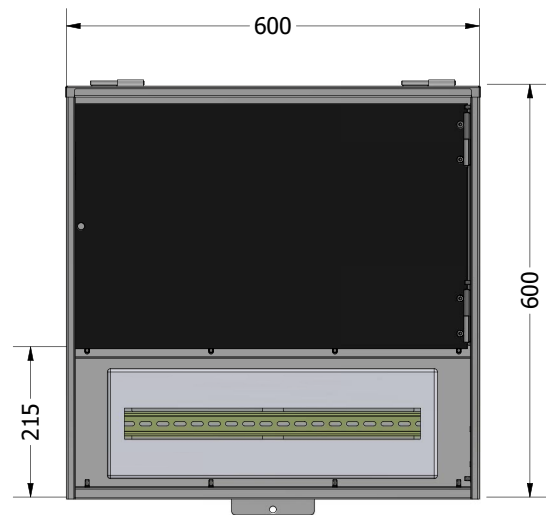
DOOR VIEW



ISOMETRIC VIEW



INSIDE VIEW



INSIDE 24 POLE VIEW

## PRODUCT CODES

D-NSW-606020	Standard Metering Panel	316 Stainless Steel
D-NSW-606020-DIN	24 Pole CB Metering Panel	316 Stainless Steel
D-NSW-CUSTOM	Custom Metering Panel	316 Stainless Steel